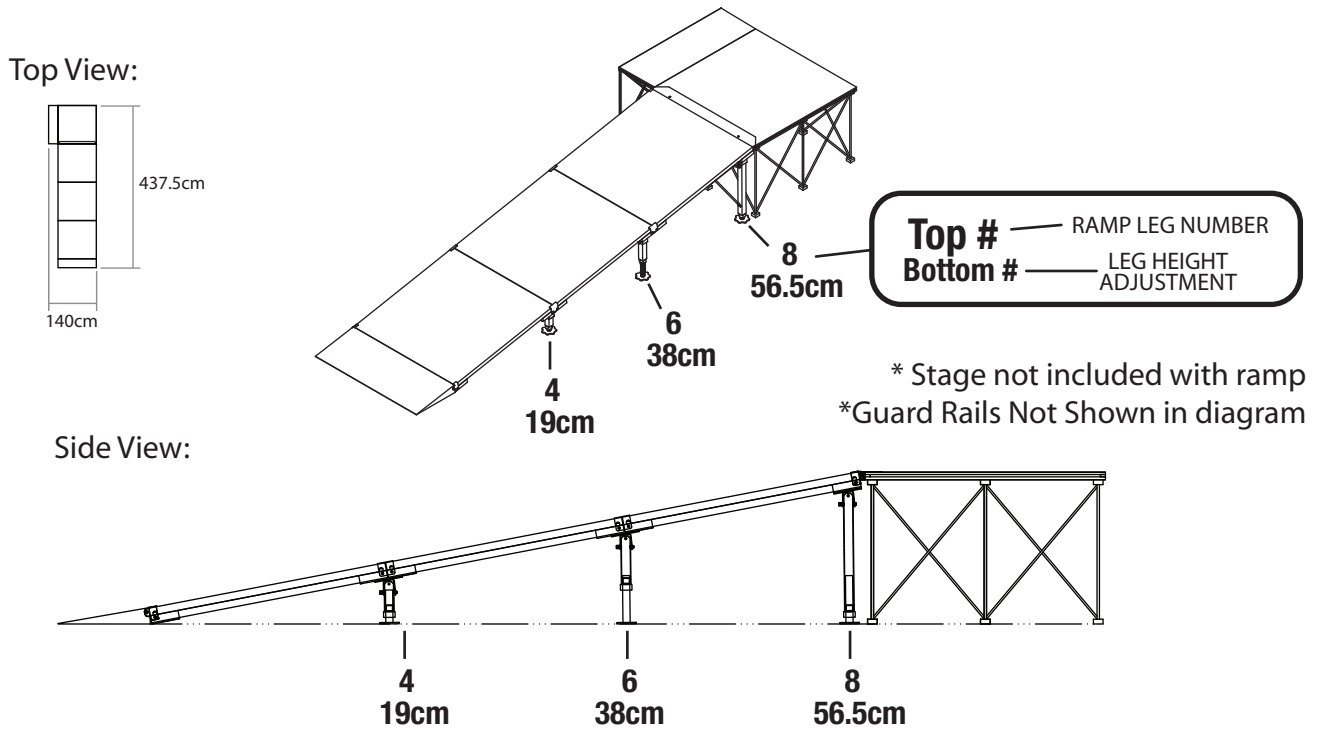


IS60RLCGR, IS60RLTGR, IS60RLIGR



Equipment Ramp with Guard Rails and Landing for 60cm High Stages guardrails not shown



SKU	DESCRIPTION	PCS PER MASTER PACK	QTY IN SET
ISPE1X1CD or ISPE1X1TD or ISPE1X1ID	1 x 1mtr Carpet Finish Platforms 1 x 1mtr TuffCoat Finish Platforms 1 x 1mtr Industrial Finish Platforms	2	2
ISSTEPEC or ISSTEPET or ISSTEPEI	Carpet Finish Step Platform TuffCoat Finish Step Platform Industrial Finish Step Platform	1	1
ISE1X1X60	60cm High Riser for 1 x 1mtr Platform	1	1
ISESTEP60	60cm High Riser for 1mtr Step Platform	1	1
ISERBP	Bottom ramp plate with mounting hardware	1	1
ISERCP	Platform connecting plate	1	1
ISERPF	Metal platform assembly plate	1	3
IS2AL4	Two pack of equipment ramp adjustable leg # 4 with hardware	2	1
IS2AL6	Two pack of equipment ramp adjustable leg # 6 with hardware	2	1
IS2AL8	Two pack of equipment ramp adjustable leg # 8 with hardware	2	1
ISELCB	Pack of cross bars for leg sets # 8 or 9	2	1
ISERSTEPGRPD	Two pack of step guard rail ramp panels w/ mounting hardware	2	1
ISERGRPD	Two pack guard rail panels for ramps w/ mounting hardware	2	3
ISEARGRPD	Two pack adjustable ramp guard rail panels w/ mounting hardware	2	1
IS2CMB	Two pack of guard rail panel corner mounting bracket	2	1